

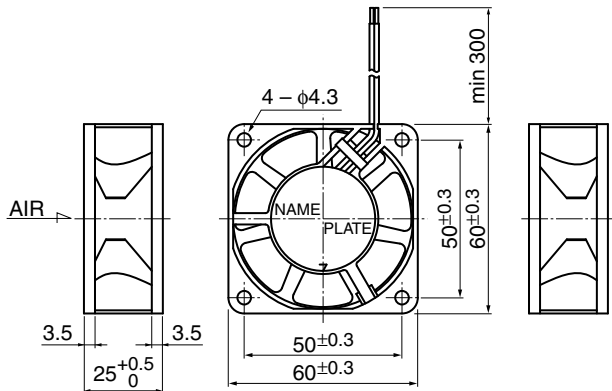
06025MA

DC Axial Fan Ball Bearing

60[□]X25^L

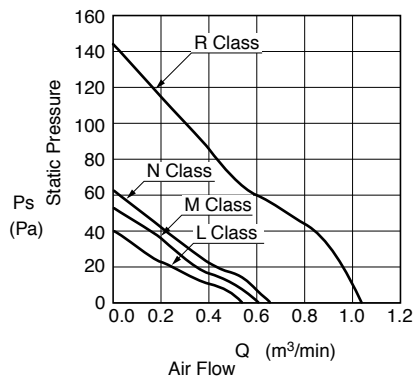


Outline



* Outline is A (Rib) type.

Characteristic Curves



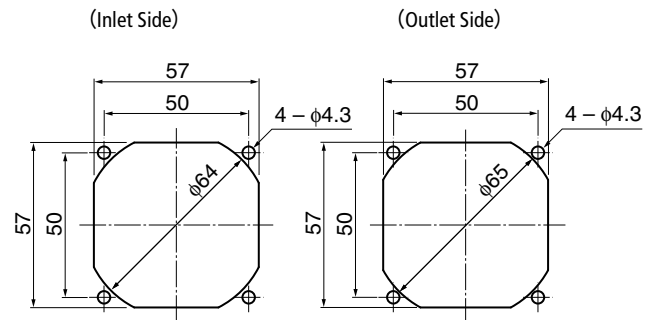
General Specifications

Motor Protection	Auto Restart / Polarity Protection
Insulation Resistance	10MΩ or over with a DC500V Megger
Dielectric Withstand Voltage	AC700V 1s
Allowable Ambient Temperature Range	L, M, N Class : -10°C ~ +70°C (Operating) R Class
	-10°C ~ +60°C (Operating)
	-40°C ~ +70°C (Storage)
	non-condensing environment

Expected Life ※ Failure Rate: 10% (L10 Life)

25°C 100,000 (Hours) (L~N Class)
25°C 90,000 (Hours) (R Class)

Panel Out-cuts



Material

Casing	: Plastic (Black) UL94V-0
Impeller	: Plastic (Black) UL94V-0
Bearing	: Ball Bearing
Lead Wire	: UL1007 AWG24 + : Red, - : Black

Customize service for IP compatible type and Oil-proof type is available for this item. Please contact to our sales representative for more detail.

Specifications

□ = Casing Form --- A: Rib Type, E: Flange Type

Model	Product No.	Rating Voltage	Operating Voltage	Current	Input Power	Speed	Max. Air Flow		Max. Static Pressure		Noise	Mass
		(V)	(V)	(A)*1	(W)*1	(min ⁻¹)*1	(m ³ /min)*1	(CFM)*1	(Pa)*1	(In H ₂ O)*1	(dB)*1	(g)
06025MA-12L-□A-	00	12	6.0 ~ 13.8	0.12	1.44	4000	0.54	19.1	40.2	0.16	31.0	65
06025MA-12M-□A-	00			0.17	2.04	4550	0.61	21.5	51.9	0.21	33.5	
06025MA-12N-□A-	00			0.20	2.40	4900	0.66	23.3	62.2	0.25	35.0	
06025MA-12R-□A-	00			0.54	6.48	7350	1.05	37.1	143.0	0.57	50.0	
06025MA-24L-□A-	00	24	10.0 ~ 27.6	0.06	1.44	4000	0.54	19.1	40.2	0.16	31.0	
06025MA-24M-□A-	00			0.09	2.16	4550	0.61	21.5	51.9	0.21	33.5	
06025MA-24N-□A-	00			0.10	2.40	4900	0.66	23.3	62.2	0.25	35.0	
06025MA-24R-□A-	00			0.26	6.24	7350	1.05	37.1	143.0	0.57	50.0	

Rotation: Counter clockwise as seen from the label side
Airflow Outlet: Label side

*1: Average Values in Free Air